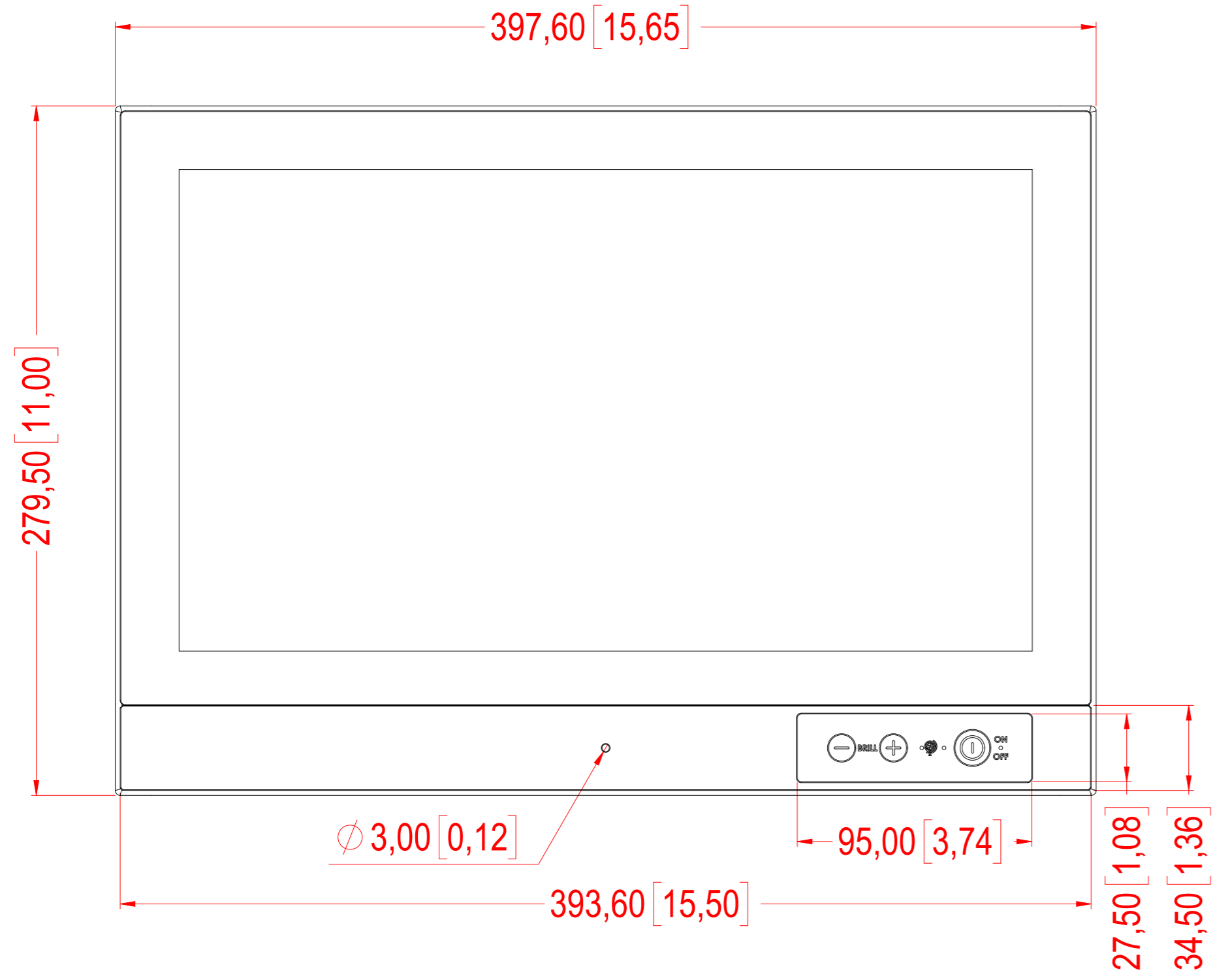
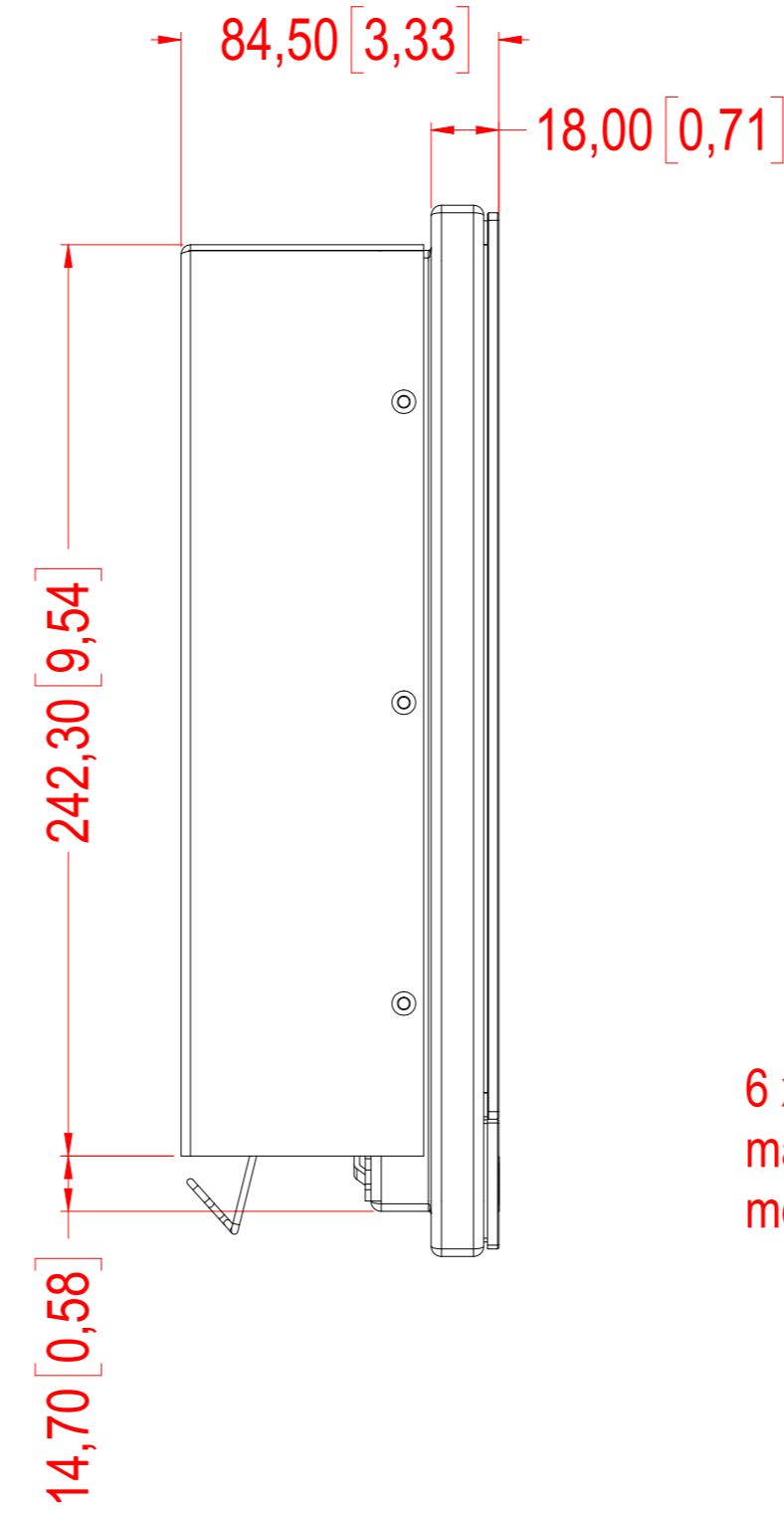


This document is the property of Hatteland Technology AS.
 This document and any authorized reproduction thereof must not be used in
 any way against the interest of Hatteland Technology AS.
 Any authorized reproduction, in whole or in part, must include this legend.

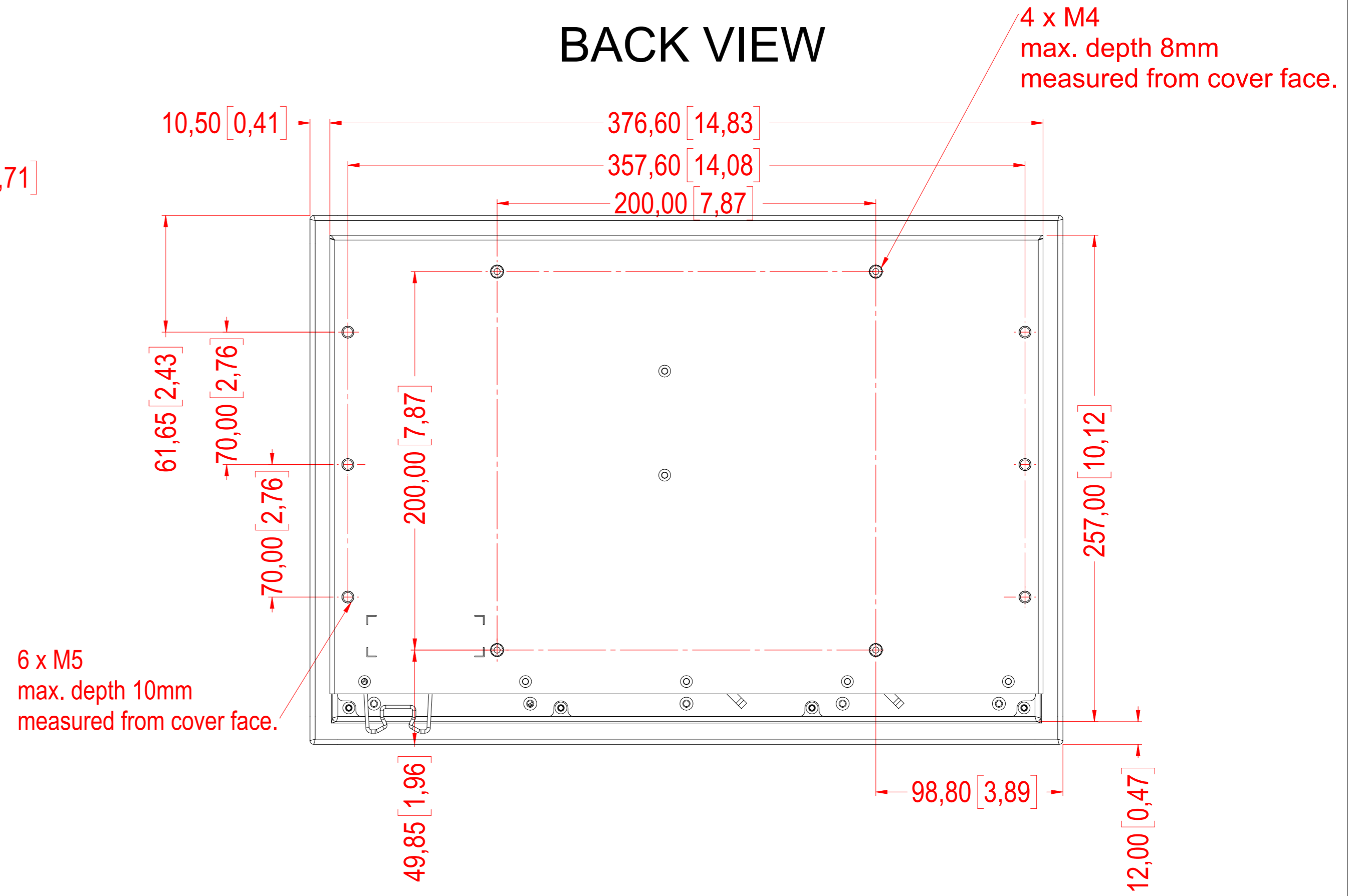
FRONT VIEW



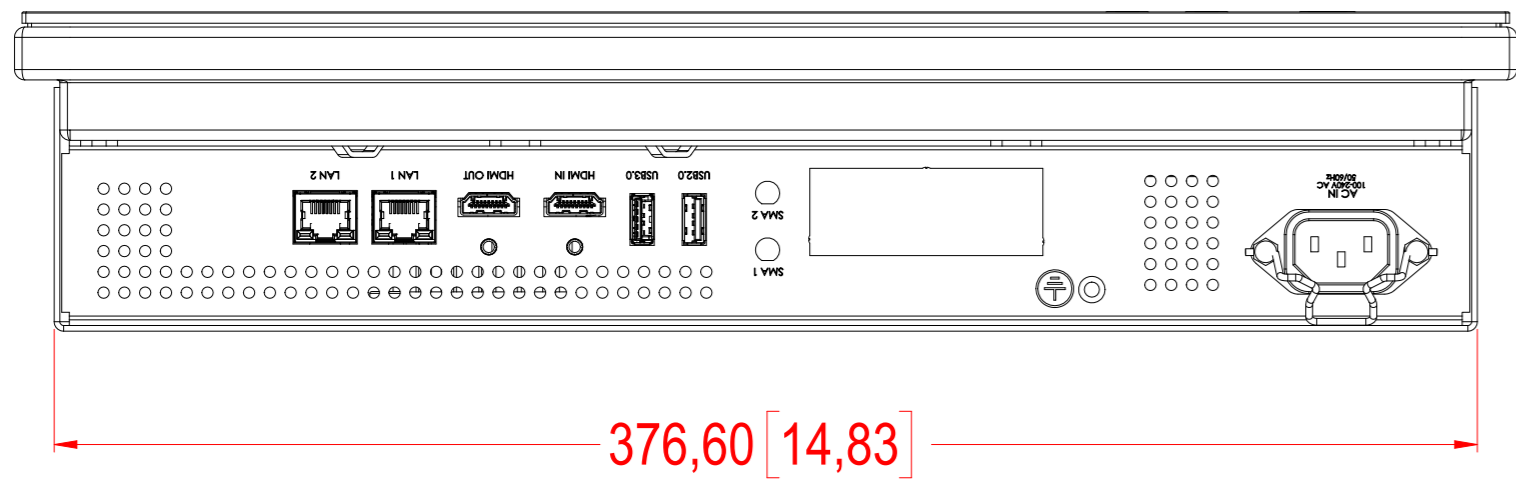
SIDE VIEW



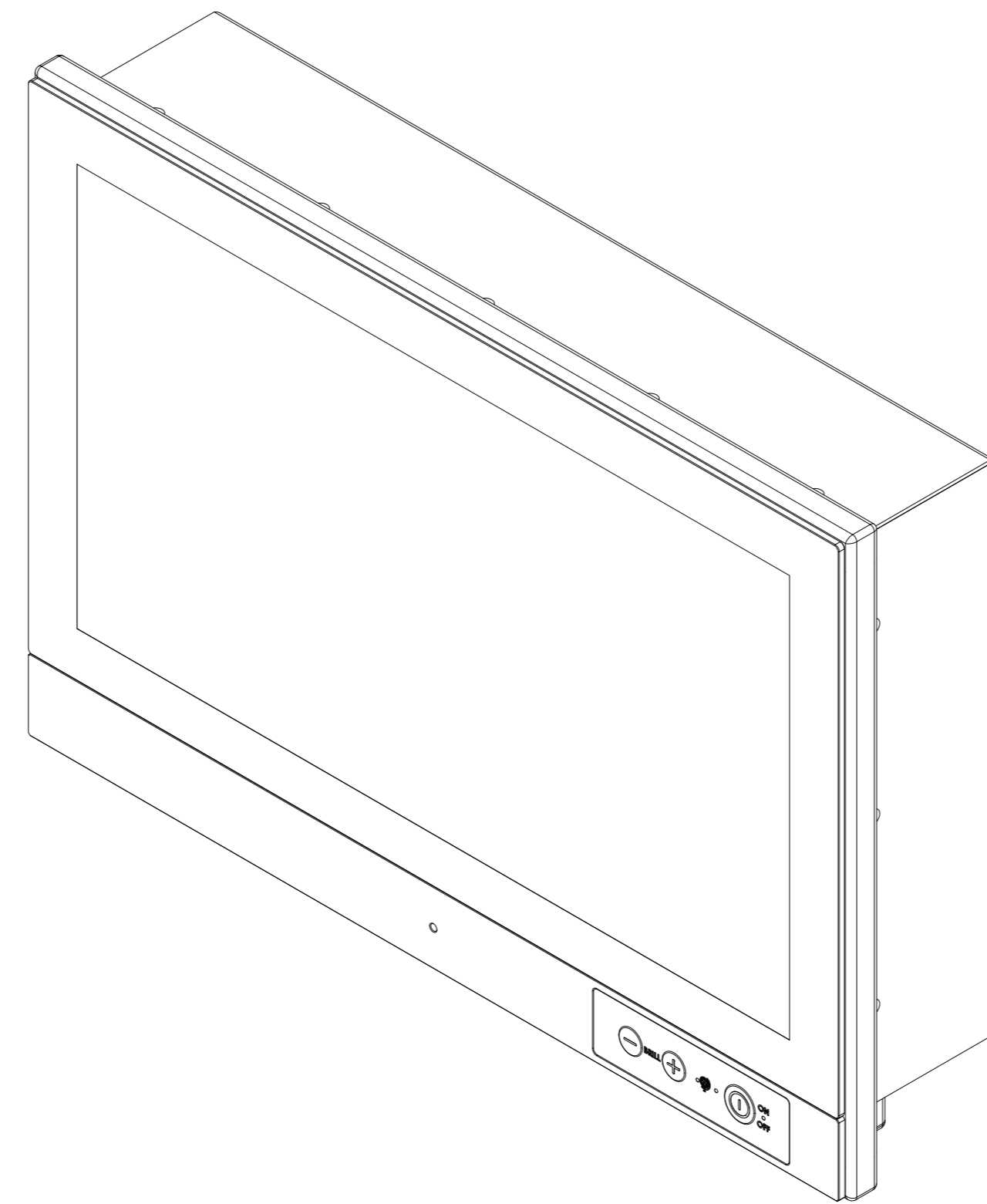
BACK VIEW



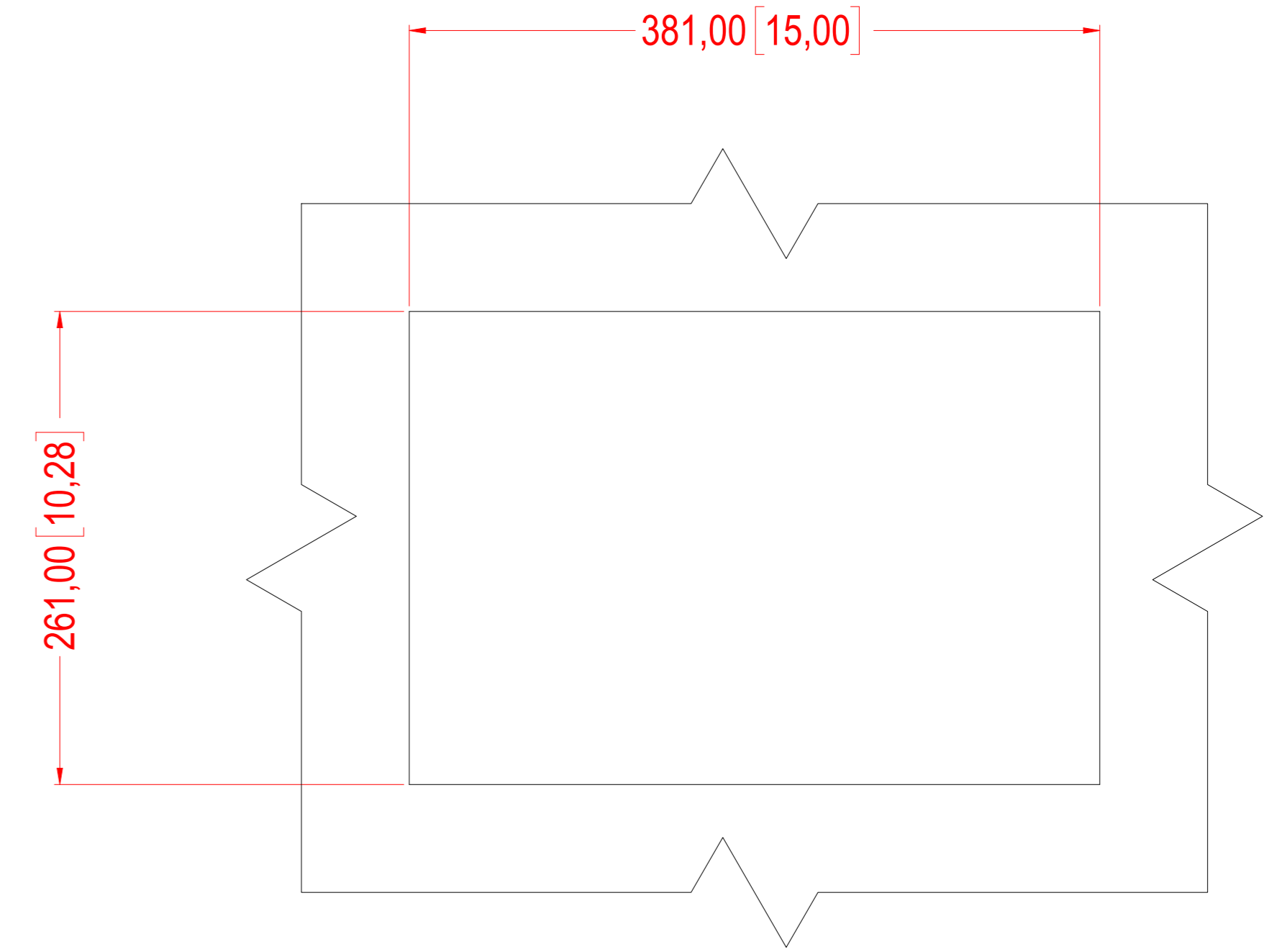
BOTTOM VIEW



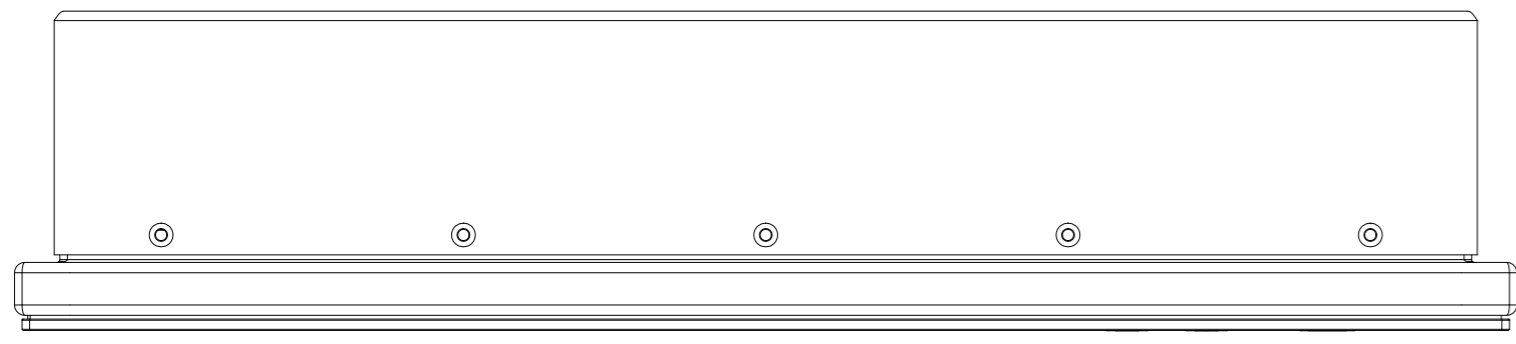
ISOMETRIC VIEW



PANEL CUTOUT



TOP VIEW



Units: mm [inches]

SALES DRAWING HD 16T30 MPA-A0A-0NPJNI
 shown in this drawing, but measurements generally apply for all HD 16T30 MxA-xxx-xxxxxx models

Creation date / by:	31.07.18 / 8755	Projection:	A1	HATTELAND TECHNOLOGY an EMBRON Company	
Last rev. date / by:	/		Scale:	1:2	Approved by:
Hatteland Technology AS Eikeskogvegen 52 N-5570 Akedal			Tolerance:	ISO 2768-mK	Revision: 01
				Drawing number:	A012822